

How to Use this Guide

Provide one (1) set of plans, drawn to scale and complete the following (*hint: use graph paper with 1/4" squares. Example: 1/4" = 1'*).

1. Complete this Building Guide by filling in the blanks on page two, and indicating which construction details will be used.

2. Provide One (1) Plot Plan (site plan) showing dimensions of your project and its relationship to existing buildings or structures on the property, and the distance to existing property lines drawn to scale. See page 3.

3. Fill out a Building Permit Application.

The majority of permit applications are processed with little delay. The submitted documents will help determine if the project is in compliance with building safety codes, zoning regulations, and other applicable laws.



Single-Family Residential Decks and Porches

Directions

1. Fill in the blanks. Please print legibly.
2. Indicate in the check box which detail from page 4 will be used.

Address: _____

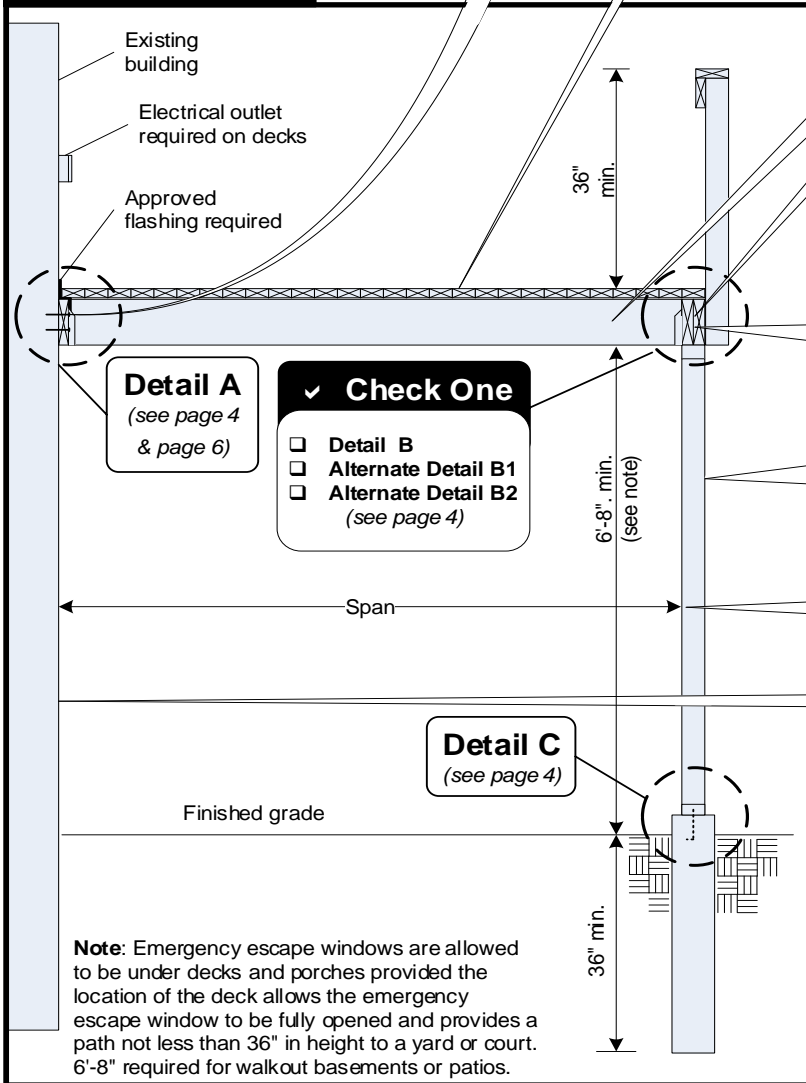
Size and Spacing of Fasteners

() x () @
(example: (2) 1/2" x 4 1/2" lags @ 16" O.C.)

Type of Decking

x
(example 2x6" redwood)

Deck Section



2x ____ joists
Spaced ____" O.C.
(example: 2x10" spaced 24" O.C.)
Wood Species _____

() x ____ beam
(example: (2) 2x10" beam)
Wood Species _____

OR

2 x ____ rim joist
(example: 2x10" see alternate B1 & B2)
Wood Species _____

____ x ____ posts
spaced ____ O.C.
(example: 4x4" posts spaced 8' O.C.)
Wood Species _____

Span _____
(example: 8' - 4")

Type of existing exterior
finish material

- Detail A**
(see page 4 & page 6)
- Check One**
- Detail B**
 - Alternate Detail B1**
 - Alternate Detail B2**
(see page 4)

Detail C
(see page 4)

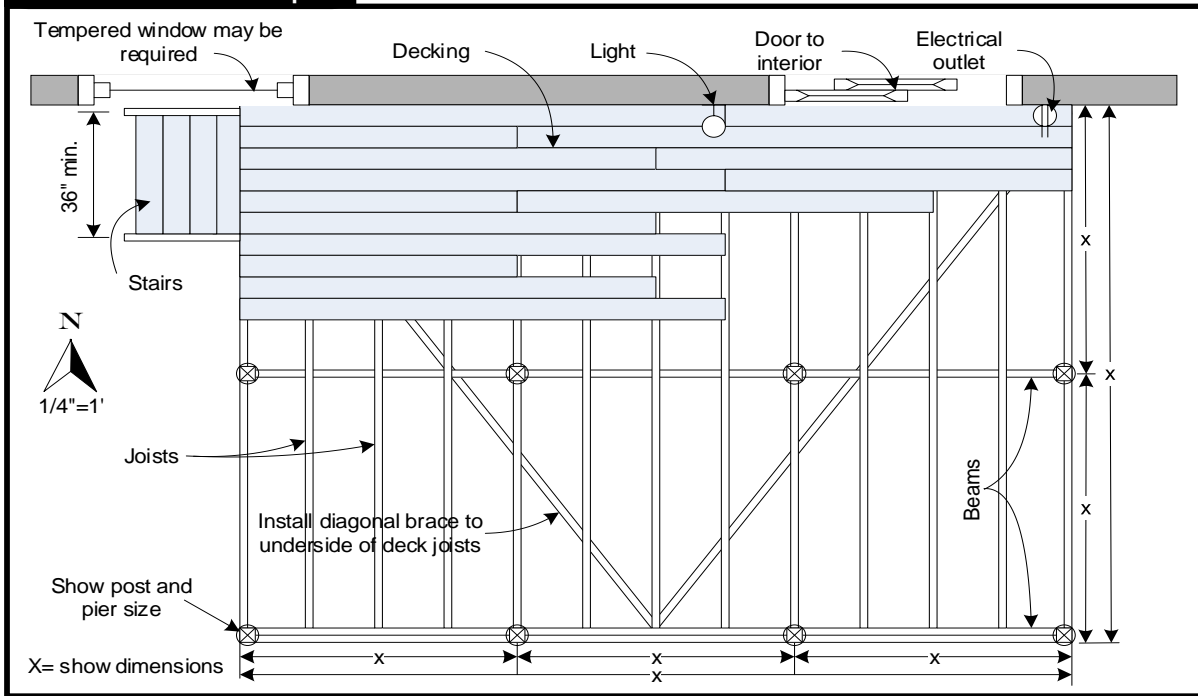
Note: Emergency escape windows are allowed to be under decks and porches provided the location of the deck allows the emergency escape window to be fully opened and provides a path not less than 36" in height to a yard or court. 6'-8" required for walkout basements or patios.

Note: Conditions such as attachment to cantilevers or veneers may require Engineer's approval

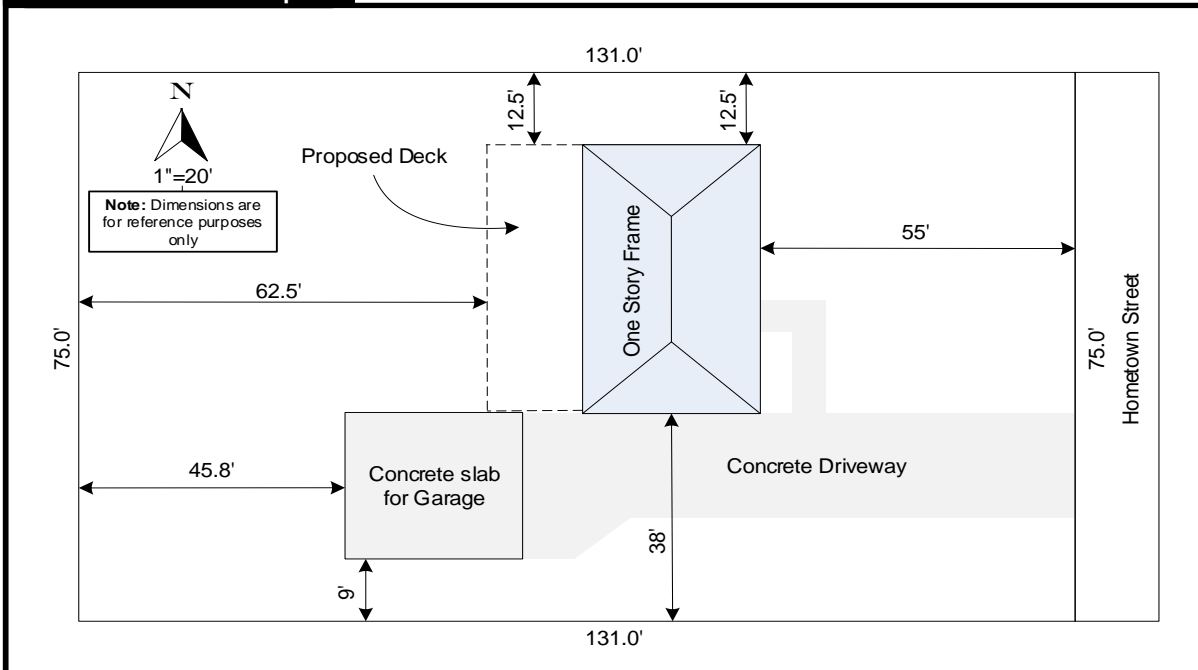
Note: A plot plan (plan view) showing the dimensions of your project or addition and its relationship to existing buildings or structures on the property must be included. In addition to project dimensions, your plot plan must also show details such as post locations and spacing, joist and beam spans, and any other pertinent information not shown on the section drawing.

Single-Family Residential Decks and Porches

Plan View Example

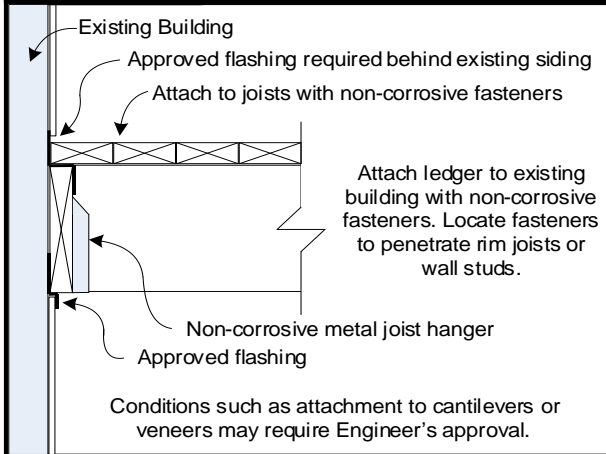


Site Plan Example

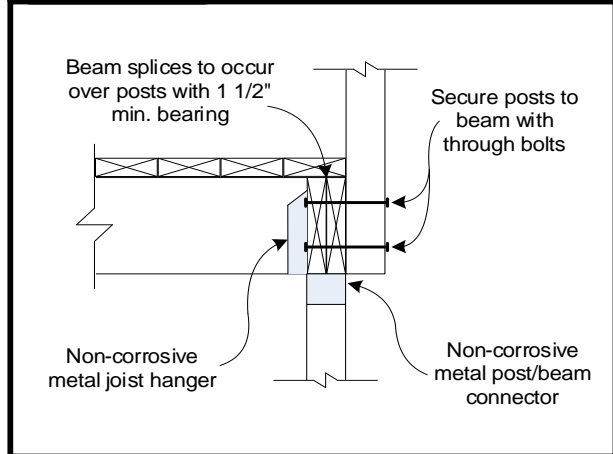


Single-Family Residential Decks and Porches

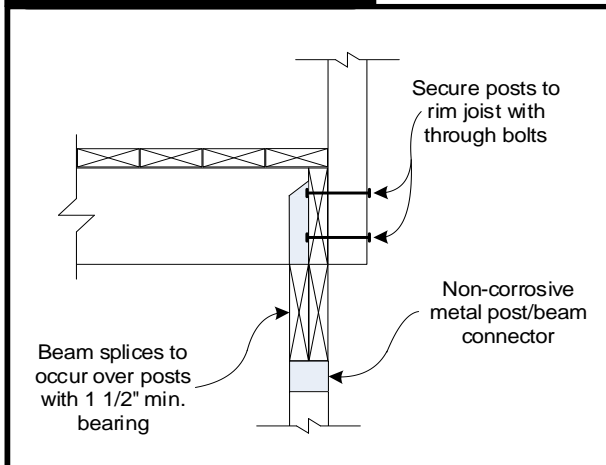
Detail A



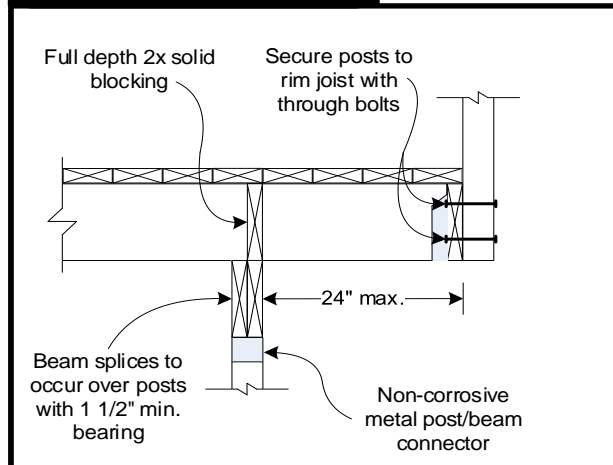
Detail B



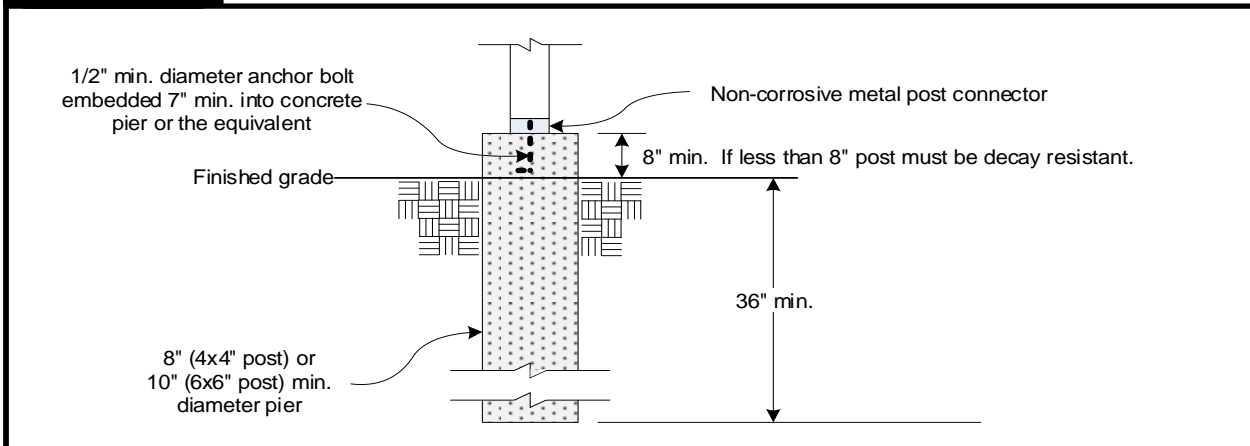
Alternate Detail B1



Alternate Detail B2

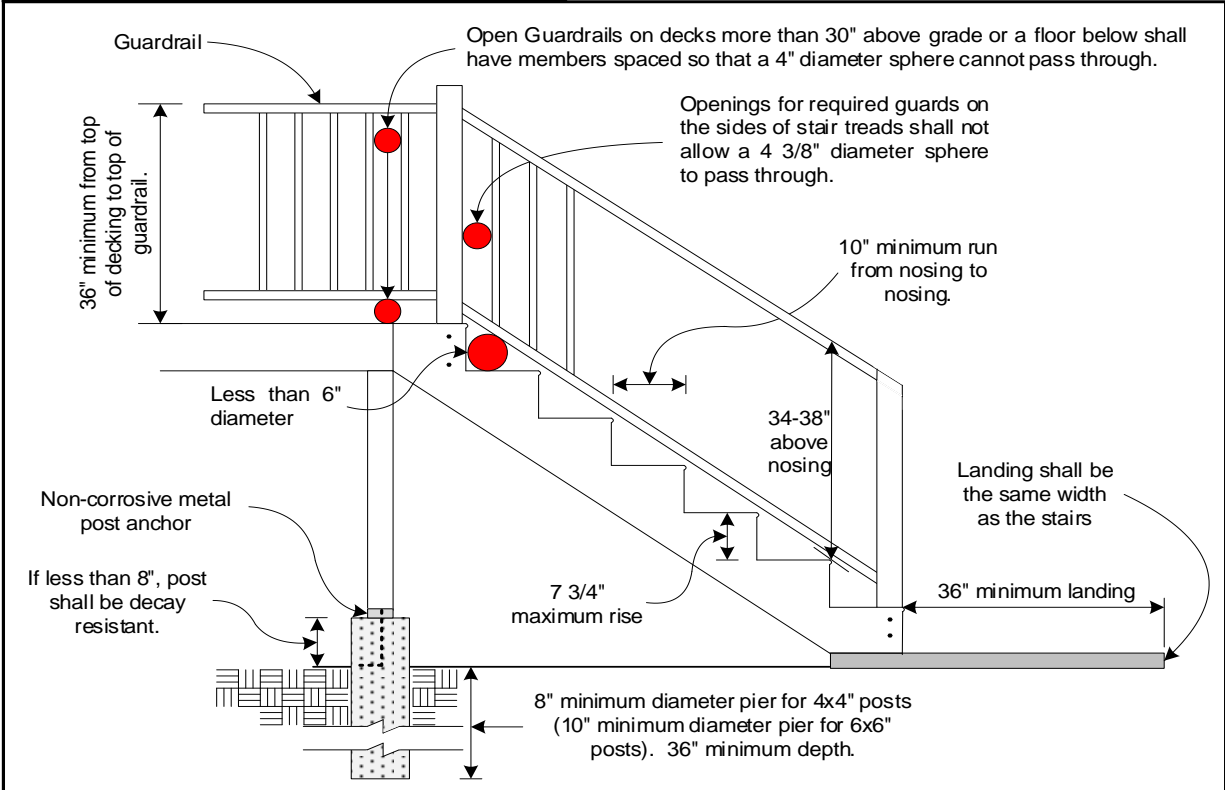


Detail C



Single-Family Residential Decks and Porches

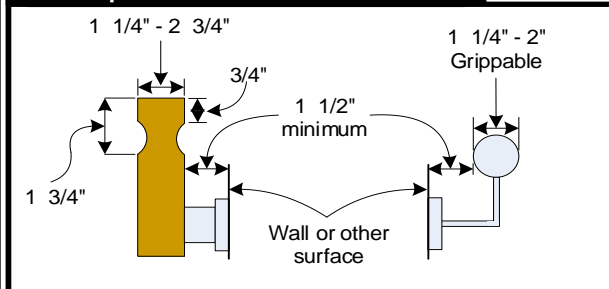
Stair & Handrail Specifications



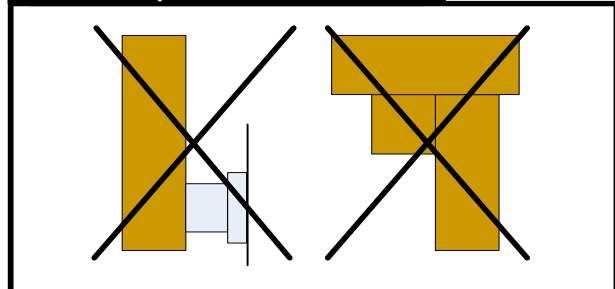
Stairway Notes:

- Stairways shall not be less than 36" in width.
- Stairway rises shall not be greater than 7 3/4".
- Stairway treads shall have a minimum run of 10".
- The length of run and the height of riser shall not vary more than 3/8" in the entire run of the stair.
- Stairs are required to be illuminated.
- Open risers permitted if opening is less than 4".
- A nosing not less than 3/4" but not more than 1 1/4" shall be provided on stairways with solid risers, and less than 1 1/2".
- Composite materials (example: Trex) may require 4 stringers.

Acceptable Handrail Detail



Unacceptable Handrails

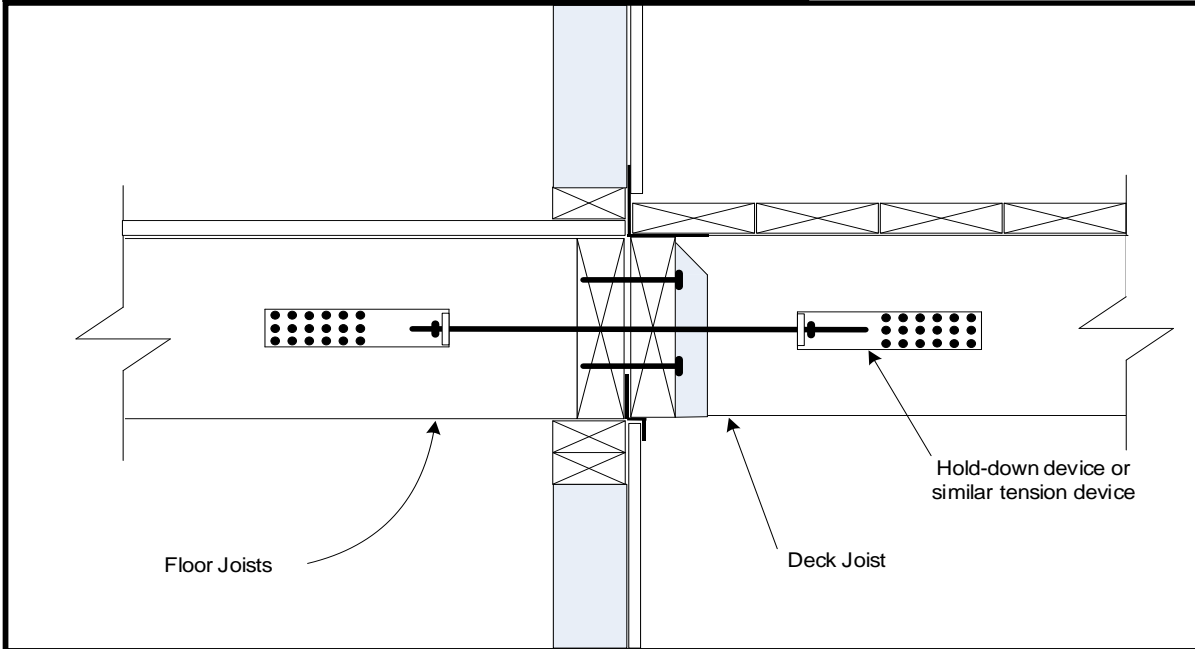


Handrail Notes:

- Handrails shall be continuous on at least one side of stairs with 4 of more risers.
- Top of handrails shall be placed not less than 34" and not more than 38" above stair nosings.
- The handgrip portion of handrails shall not be less than 1 1/4" and not more than 2 1/4" in cross section for non circular handrails.
- Handrails shall be placed not less than 1 1/2" from any wall or other surface.
- Handrails to be returned to wall, post or safety terminal (per 311.7.8.4 IRC).

Single-Family Residential Decks and Porches

Deck Attachment for Lateral Loads R507.9.2(1)



OR

Deck Attachment for Lateral Loads R507.9.2(2)

